

# Standard Knapp Standard Knapp

an EMPLOYEE owned company

## DISCHARGE ROLLER ASSEMBLY

**UPGRADE FOR:  
949 Case Packer**

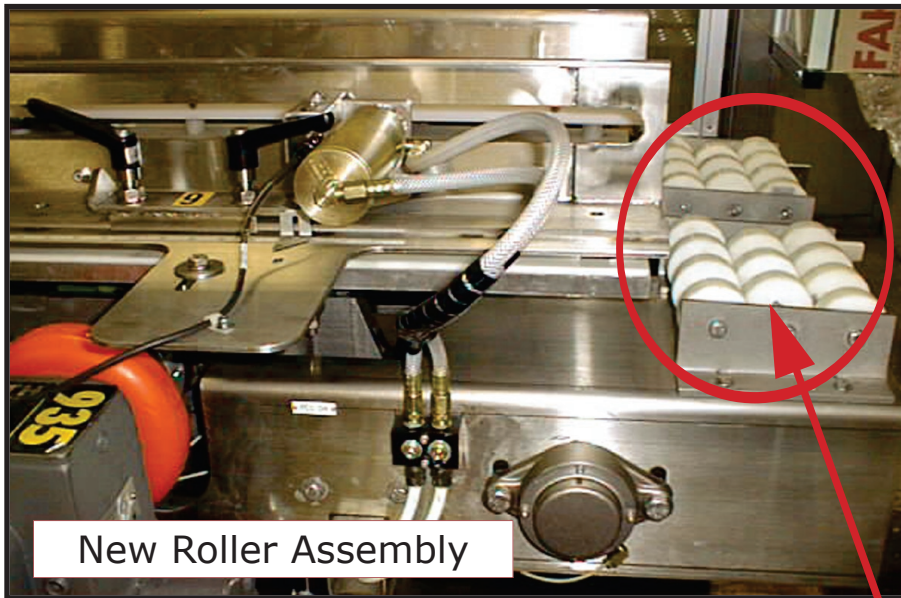


Figure 1.1 - New Multi-Roller Assembly Installed on Machine

## Benefits

- Long-lasting, consistent operation.
- Easy to install.
- Reduces machine downtime.
- Virtually eliminates roller failure.
- Increases machine efficiency.

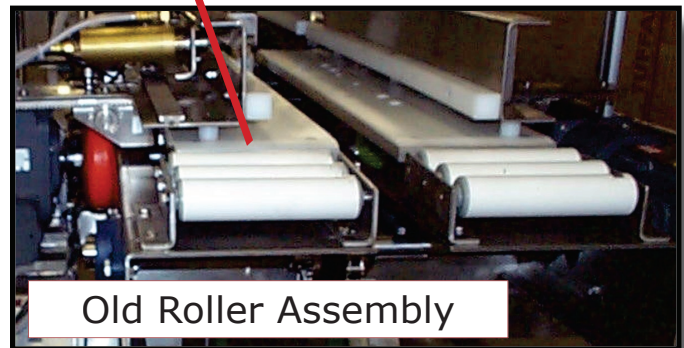


Figure 1.2 - Close-up of Old Style Single Roller Assembly

Call Standard-Knapp at 1-800-628-9565 more information.

Standard-Knapp, Inc.  
127 Main Street  
Portland, CT 06480  
1-800-628-9565  
(fax) 860-342-0783  
[www.standard-knapp.com](http://www.standard-knapp.com)  
[info@standard-knapp.com](mailto:info@standard-knapp.com)

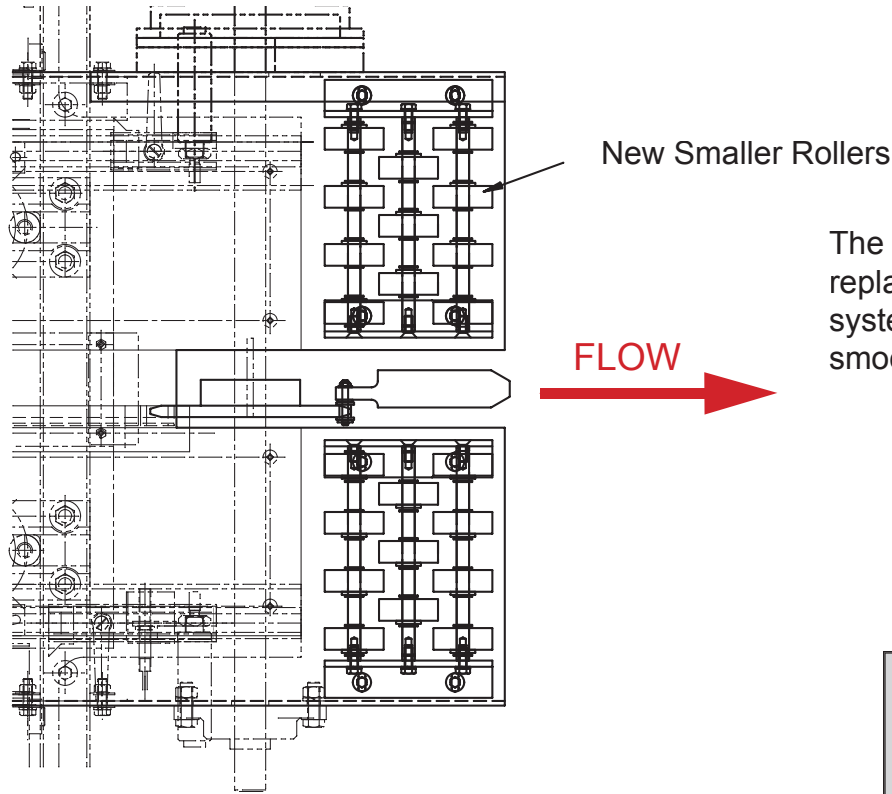


Figure 1.3 - Top View of the new Multi-Roller Assembly

The new multi-roller assembly replaces the original large roller system and allows for long-lasting smooth operation.

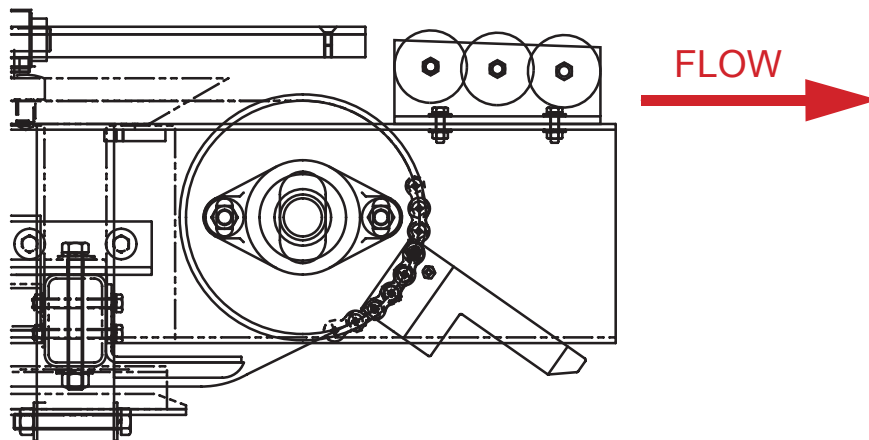


Figure 1.4 - Side View of the new Multi-Roller Assembly

### SPECIFICATIONS

SPEED: No Limits

PRODUCT RANGE: Unchanged

AIR: None required

CONTROLS: None required

POWER: None required

CONSTRUCTION: Nylon Wheels,  
Stainless Steel Shafts

ESTIMATED WEIGHT: 10 lbs.

INSTALLATION: Standard-Knapp  
Installation recommended

TIME TO INSTALL: 1 Hour

### ADDITIONAL UPGRADE KITS AVAILABLE FOR YOUR 949 CASE PACKER

- SPRING LOADED LIFT TABLE GEARS
- AIR HOSE MANIFOLD
- HEAVY DUTY LIFT TABLE
- QUICK CHANGE PRODUCT STOPS
- REAR CASE CLAMP
- MINOR FLAP GUIDES