

Standard Knapp Standard Knapp

an EMPLOYEE owned company

FILM MANDREL SUPPORTS

**UPGRADE FOR:
Model 296 Continuum
Traypacker**

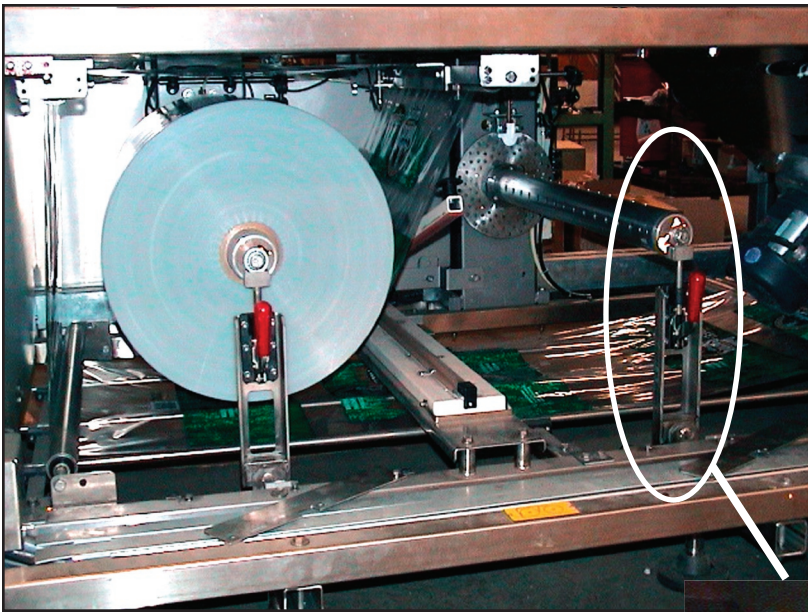


Figure 1.1 - Film Mandrel Supports locked in place

Quick release handle, allows for easy film loading.



Figure 1.2 - Close-up of locked mandrel support

BENEFITS

- Braces film mandrels during machine operation.
- Allows for larger diameter film rolls without mandrel deflection.
- Film mandrels remain level and parallel to the floor, to ensure smooth operation.
- Eliminates film “wander” and poorly wrapped packs
- Increases machine uptime.

Call the Standard-Knapp Sales Department
at 1-800-628-9565 for ordering information.

Standard-Knapp, Inc.
127 Main Street
Portland, CT 06480
1-800-628-9565
(fax) 860-342-0783
www.standard-knapp.com
info@standard-knapp.com

Standard Knapp Standard Knapp

an EMPLOYEE owned company

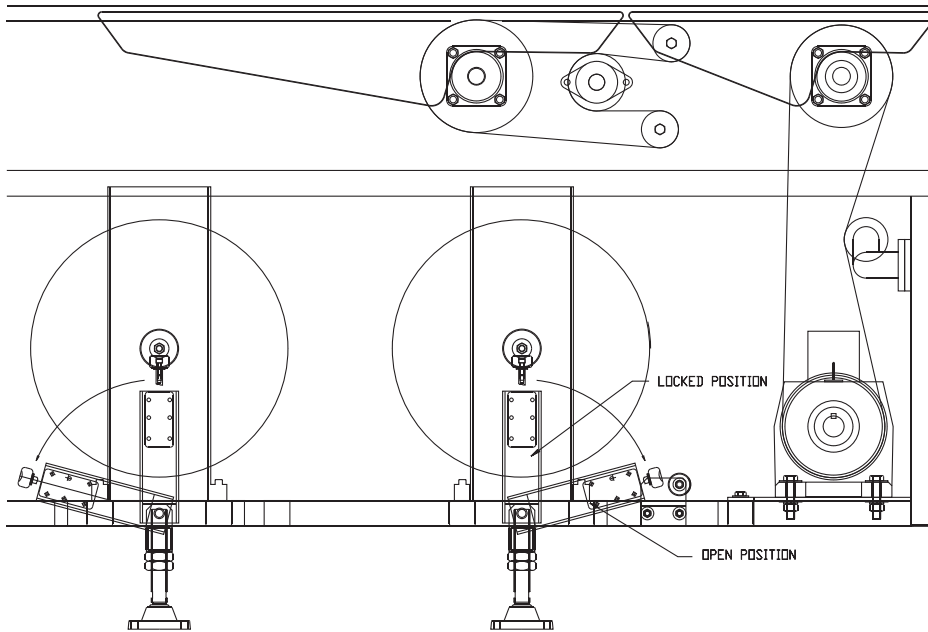


Figure 1.3 - Film Roll End Support shown in locked and open positions

Once installed, the Film Mandrel Support Kit provides additional stability to both the machine frame and the film supply assembly.

Each kit is equipped with an adjustable frame leg, a pivoting support arm with saddle and a radial bearing. The radial bearing, which was securely fastened to the end of the film mandrel, acts as the contact point. The pivoting support arm (shown above) is positioned under the radial bearing and locked into place. The weight of the film roll is now evenly dispersed to the front and back of the machine keeping the film mandrel level and eliminatng frame deflection.

When needed the arm may be quickly unlocked and pivoted to the side allowing for easy loading of film.

SPECIFICATIONS

SPEED: No Limits

PRODUCT RANGE: Unchanged

AIR: None required

CONTROLS: None required

POWER: None required

CONSTRUCTION: Stainless Steel

ESTIMATED WEIGHT: 40lbs.

INSTALLATION: Standard-Knapp service recommended

TIME TO INSTALL: 3-4 hours

ADDITIONAL UPGRADE KITS AVAILABLE FOR YOUR 296 CONTINUUM

- TRAY BLANK INDEXER
- DOUBLE BLANK DETECTOR
- TRAY TRANSPORT DEBRIS BRUSH
- TRAY MAGAZINE BLANK RETAINER